

规格承认书

Specification for approval

产品名称: AB19U 插片汽车保险丝 32V

Product Type: AB19U Series Standard ATC ATO Regular 19x19x4mm

Automotive Style Auto Blade Fuse 10A 32V Red For Auto Fuse Holder Tap Adapter

Ao littel Technology Co.Ltd.

Bld. 16,Yanhe East Road,Xiangdong Village, Dongguan 523833,
Guangdong,China

H.P.: 1371362419

Fax #:0769-89390418

QQ #: 3217998702

Email : eric.lye@aolittel.com

<http://www.passivemall.com/>

<http://www.aolittel.com/>

1. Scope

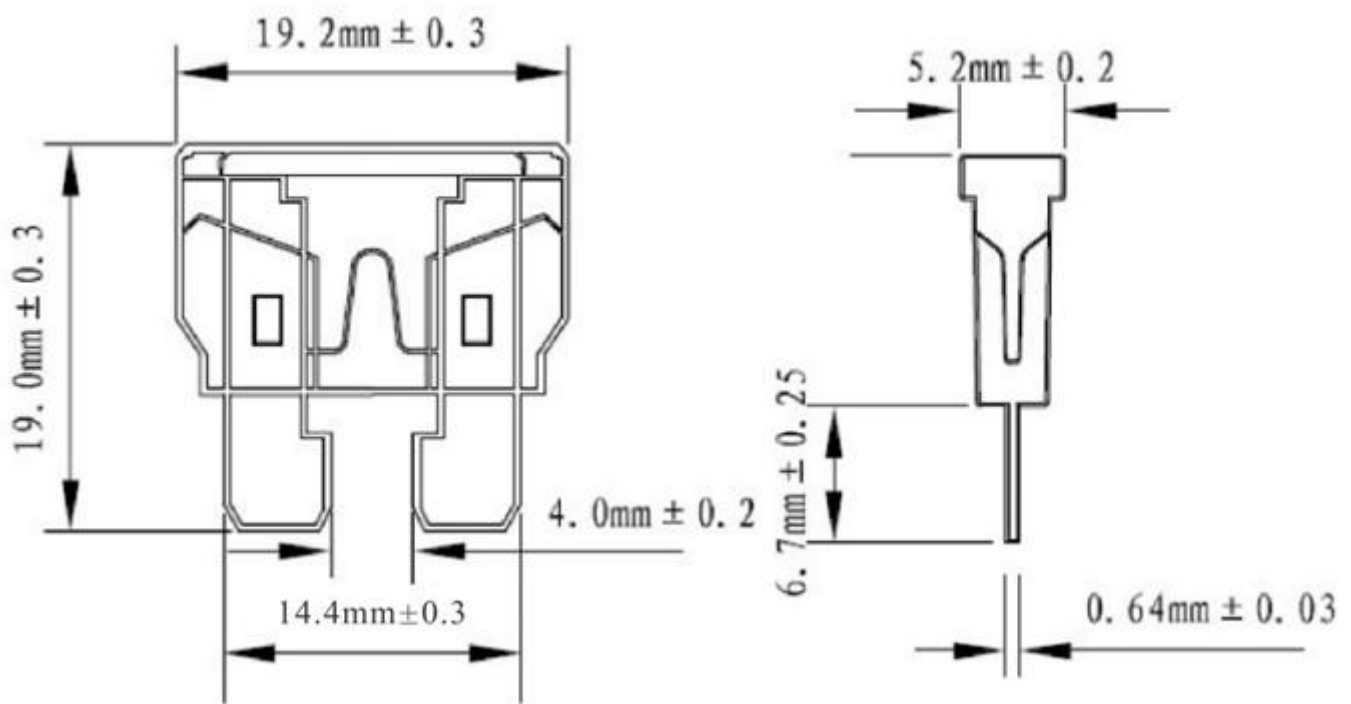
Auto Blade fuses shown are for in motor vehicles, boats and trailers to protect ect electrical wiring and equipment。 This standard is for the construction shown and is not intended to restrict the design and use of other configurations and materials capable of meeting the vehicle requirements.

2. Definition

A fuse is a device designed to interrupt the electrical circuit when subjected to over currents。 This action is to be non-reversible and the fuse is intended to be replaced after the circuit, malfunction has been corrected.

3. Operation standard: SAE J1284 /UL 248 Special Purpose Fuse

4. Dimension (mm)



Fast Acting, Low Voltage For UP To 32v DC	
Material	*Body: Plastic. *Metal: Zinc Alloy with Tin Plating.
Standard	According To SAE J1284
Circuit Protection To Replace Fusible Wire OR Fusible Link.	
Fuses Are Color-Coded For Easy Amperage Identification.Listed by UL Certificated	

5. Time-Current Characteristics

In	1.1In	1.35In		2.0In		3.5In		6.0In	
1-40A	>100Hours	Min.	Max.	Min.	Max.	Min.	Max.	Min.	Max.
		0.75 s	1800 s	0.15 s	5 s	0.04 s	0.5 s	0.02 s	0.1 s

6. Electrical Performances

Part Number	Ampere (A)	Voltage (VDC)	Body Color
AB19U001	1A	32V	Black
AB19U002	2A	32V	Gray
AB19U003	3A	32V	Violet
AB19U004	4A	32V	Pink
AB19U005	5A	32V	Tan
AB19U075	7.5A	32V	Brown
AB19U010	10A	32V	Red
AB19U015	15A	32V	Blue
AB19U020	20A	32V	Yellow
AB19U025	25A	32V	Natural
AB19U030	30A	32V	Green
AB19U035	35A	32V	Purple
AB19U040	40A	32V	Orange

7. Product Photo

